

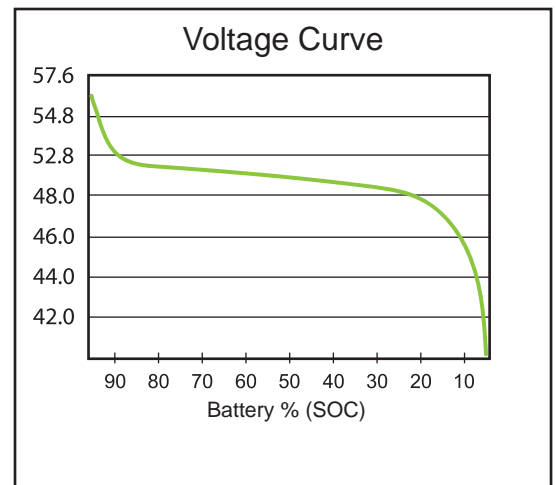
48V 72Ah Lithium (LiFePo4) Golf Cart Battery

General	
Nominal Voltage	51.0V
Working Voltage	40.0V - 58.4V
Recommended Voltage	48.0V – 57.0V
Nominal Capacity	72Ah
Energy	3686Wh
Reserve @25A	170 Minutes
Self Discharge	1% Per Month

Discharging	
Max Continuous Discharge	150A
Max Discharge 3 Seconds	600A
Max Discharge 30 Seconds	300A
Recom. Voltage Cutoff	48.0V
BMS Voltage Cutoff	40.0V
BMS Voltage Recovery	42.0V
Discharge Temp Range	-10F to 140F

Charging	
Recom. Charging Current	<35A
Max Charging Current	70A
Bulk/Absorb Voltage	57.0V
Float Voltage	54.0V or Off
Equalization	Disabled
BMS High Voltage Cutoff	60.0V
Charging Temp. Range	34F to 130F

Physical	
Cell Chemistry	Lithium Iron Phosphate
Cell Type	Prismatic
Cell Configuration	1P16S
Series Connectable	No
Parallel Connectable	Yes, up to 3
Weight	70 lbs (31.7 kg)
Dimensions LxWxH	13.36" X 10.48" X 10.57"
Terminal Type	M8 Female
Shell Type	ABS UL94-V0
UN Shipping Class	UN 3481



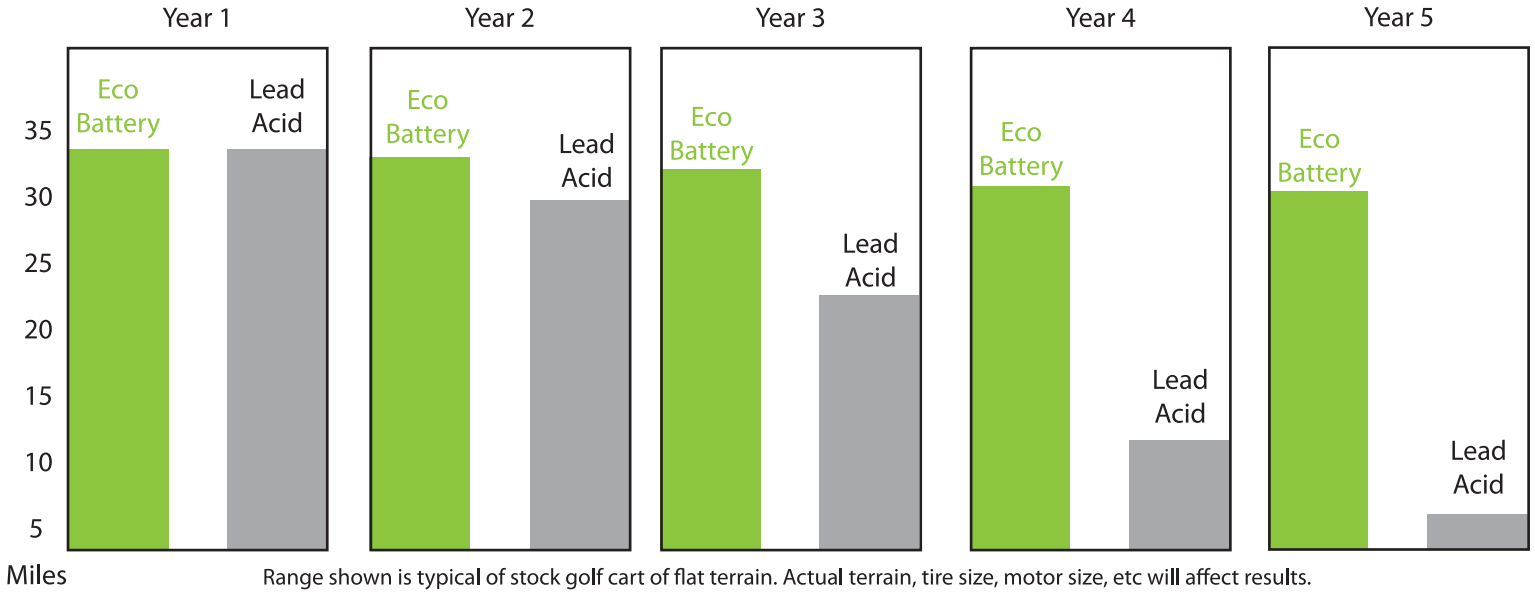
Safety	
Charging Freeze Protection	Yes, under 34F
Pack Over-Voltage	Yes
Cell Over-Voltage	Yes
Pack Under-Voltage	Yes
Cell Under-Voltage	Yes
Cell Over-Temp	Yes
BMS Over-Temp	Yes
Short Circuit / Over Current	Yes
Certifications	UN38.3, UL1642
IP Rating	IP67

Note: If overcurrent or short circuit protection is triggered, battery terminals may need to be temporarily disconnected to reset the BMS. BMS will protect battery and equipment from catastrophic failure, but if the short circuit is severe, the BMS may be permanently damaged.

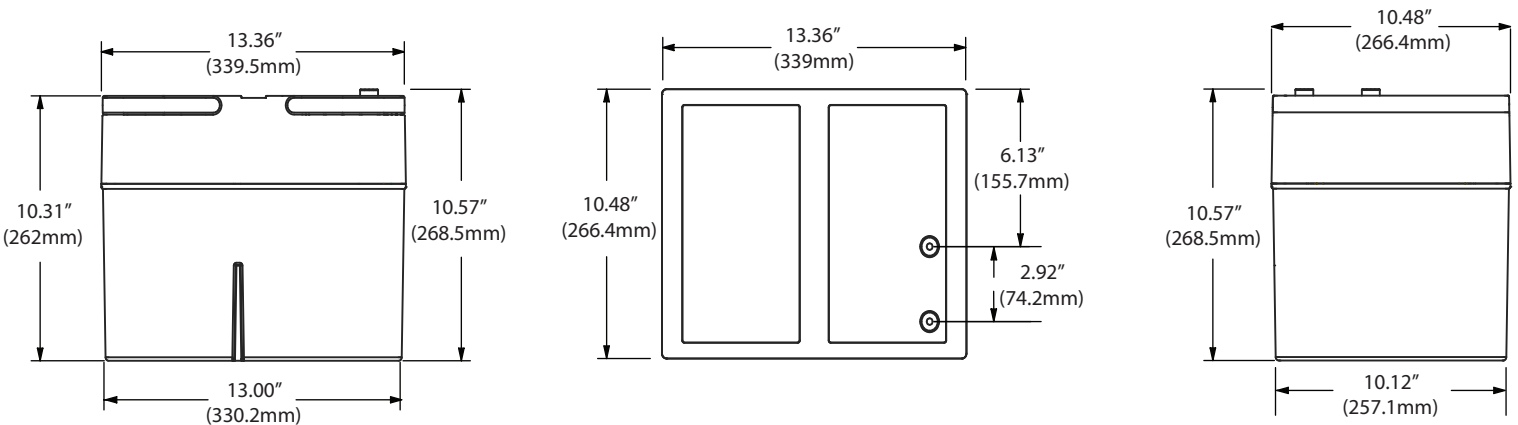


Range in miles (5 year period)

Eco Battery Lithium
Vs.
Lead Acid



Dimensional Drawings



Eco Battery, LLC
1509 Hillcrest Dr.
Washington, UT 84780
sales@ecobattery.com